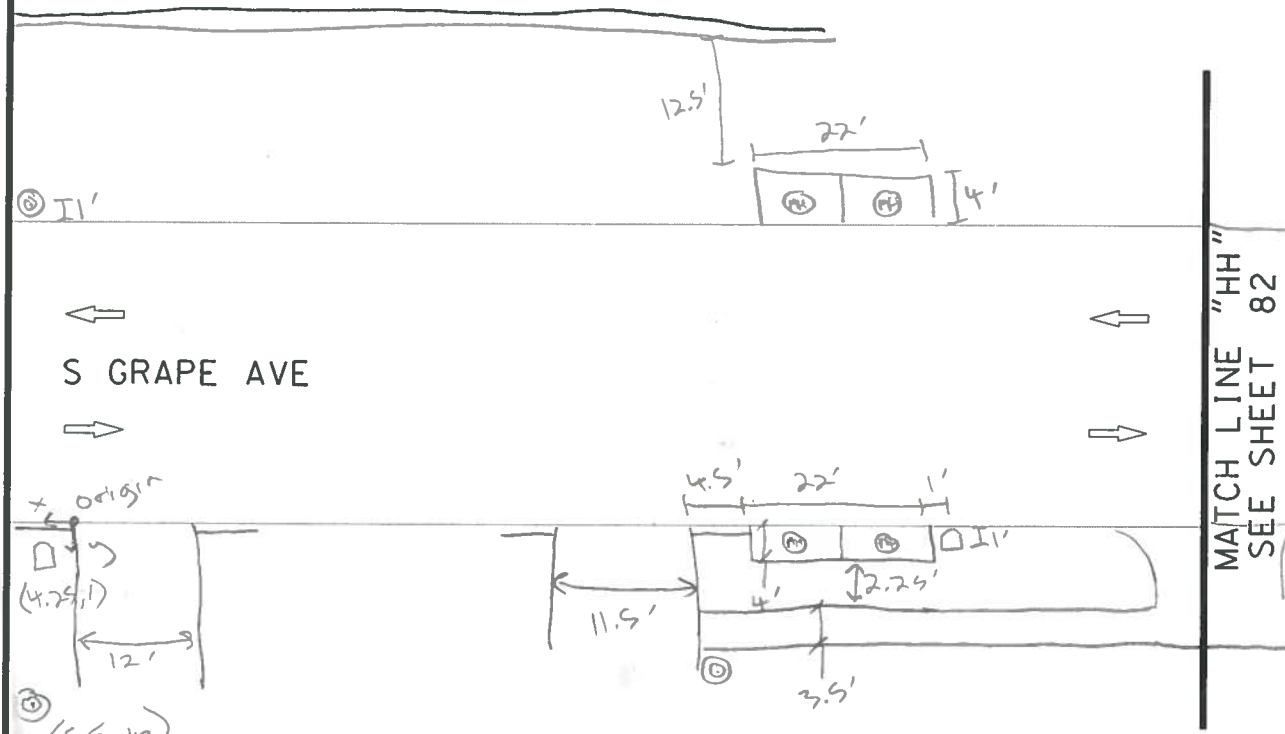


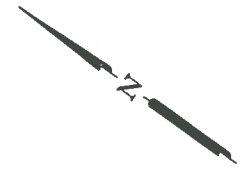
PLOTTED ON: 10/31/2016

DESIGN FILENAME: P:\113800\Design\Civil\Roadway\113800_NB_SGrapeAve_SheetC.dgn

MATCH LINE "B"
SEE SHEET 80



MATCH LINE "HH"
SEE SHEET 82



ITEM	DESCRIPTION	UNIT	QTY
------	-------------	------	-----



NB_16-025_WS_45

75

CF 10/31

DC

NOTES:

- * FOR CONTRACTOR INFORMATION ONLY
- 1. THE EXISTENCE AND LOCATION OF ALL UTILITIES AND DRAINAGE STRUCTURES INDICATED IN THE PLANS ARE TAKEN FROM THE BEST RECORDS AVAILABLE AND ARE NOT GUARANTEED TO BE ACCURATE. CONTRACTOR SHALL COORDINATE WITH ALL UTILITY COMPANIES TO FIELD VERIFY UTILITIES PRIOR TO BEGINNING CONSTRUCTION.

DESIGN
INTERIM REVIEW
DOCUMENT INCOMPLETE. NOT INTENDED FOR PERMIT, BIDDING OR CONSTRUCTION.
ENGINEER: JOHN A. TYLER
P.E. SERIAL NO: 105193
DATE: 10/31/2016

REVIEW AND APPROVAL
INTERIM REVIEW
DOCUMENT INCOMPLETE. NOT INTENDED FOR PERMIT, BIDDING OR CONSTRUCTION.
ENGINEER: JAMES A. LUTZ
P.E. SERIAL NO: 84722
DATE: 10/31/2016

NOT TO SCALE

REV. NO.	DATE	DESCRIPTION	BY

SPECIAL NOTES & DETAILS

FOR ENVIRONMENTAL REVIEW ONLY

LEGEND

- CAMERA POSITION
- DRAINAGE FLOW ARROW
- F FLARE
- FIRE HYDRANT
- GAS METER
- GAS VALVE
- GROUND BOX
- GUY ANCHOR
- IRRIGATION
- JUNCTION BOX
- L LANDING
- L1 LANDING (COMMON)
- LS LEVEL SIDEWALK (2% MAX)
- LIGHT POLE
- LUMINAIRE STANDARD
- MAIL BOX
- MANHOLE
- NSPI NO SEPARATE PAY ITEM
- PEDESTAL SIGNAL POLE
- PI POINT
- POWER/UTILITY POLE
- R RAMP
- RR RIPRAP (CONC)
- SIGN
- SODDING
- TRANSITION
- LONGITUDINAL SLOPES MAY NOT EXCEED 5%. CROSS SLOPES MAY NOT EXCEED 2%
- TRAFFIC FLOW
- TRAFFIC SIGNAL BOX
- TRAFFIC SIGNAL CONTROLLER
- TRAFFIC SIGNAL POLE
- TRANSFORMER
- TREE/BUSHES
- UTILITY PEDESTAL/MARKER
- UTILITY VAULT
- WATER METER
- WATER VALVE



SAN ANTONIO | AUSTIN | HOUSTON | FORT WORTH | DALLAS
2000 NW LOOP 410 | SAN ANTONIO, TX 78213 | 210.375.9000
TBPB FIRM REGISTRATION #470 | TBPB FIRM REGISTRATION #1002800



CURB RAMP PROGRAM

S GRAPE AVE
SIDEWALK SHEET C

SHEET 3 OF 3

DGN:	FED. DIV. NO.:	STATE	CITY	HIGHWAY NO.		
CHK DGN:	6	TEXAS	NEW BRAUNFELS	VA		
DWG:	DIST.	COUNTY	CONT. NO.	SECT. NO.	JOB NO.	SHEET NO.
CHK DWG:	SAT	COMAL				81